

FEATURES AND BENEFITS

- Solutions for PCI, PCIe, and similar platforms
- Full range of single and double widths
- Solder and component side options
- Standard and low profile
- Local prototypes - global production

PCI BRACKETS

DATA SHEET

QUICK TURN PROTOTYPING PROGRAM

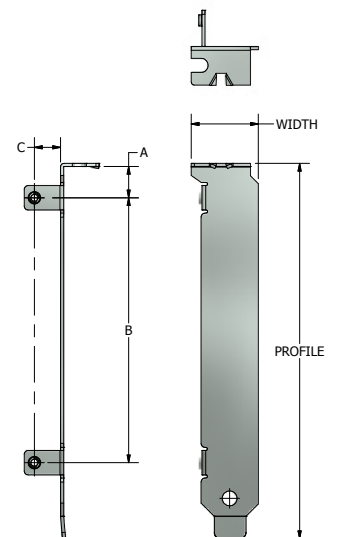
Atrenne offers local design and prototyping support via our Quick Turn prototyping program to get your project off the ground quickly - typically in 2 to 3 weeks.

Quick turn features available: low profile, standard, and double-wide sizes, 0-2 tabs, optional rib bend, and solder/component side mounting.

STANDARD BRACKET OPTIONS

Perforated blanks with and without PCB mounting tabs also available.

PROFILE	WIDTH	TABS	DIM A	DIM B	DIM C	MOUNT SIDE	
STANDARD	SINGLE	1	3.76	-	0.32	COMPONENT	
STANDARD	SINGLE	1	3.76	-	0.36	SOLDER	
STANDARD	SINGLE	2	0.40	3.36	0.34	COMPONENT	
STANDARD	SINGLE	2	0.40	3.36	0.32	COMPONENT	
STANDARD	SINGLE	2	0.21	3.56	0.33	COMPONENT	
STANDARD	SINGLE	2	0.40	3.36	0.33	SOLDER	
STANDARD	SINGLE	2	1.64	2.12	0.33	SOLDER	
STANDARD	SINGLE	2	-0.10	3.86	0.34	SOLDER	
STANDARD	SINGLE	0	BLANK NO RIB				
STANDARD	SINGLE	0	BLANK WITH RIB				
STANDARD	SINGLE	0	BLANK WITH 2 RIBS				
STANDARD	DOUBLE	1	-0.05	-	0.24	COMPONENT	
STANDARD	DOUBLE	2	0.40	3.36	0.33		
LOW	SINGLE	0	BLANK NO RIB				
LOW	SINGLE	2	0.19	2.12	0.33		



CONTACT INFORMATION

www.atrenne.com
sales@atrenne.com
508.588.6110 or 800.926.8722

The information in this document is subject to change without notice and should not be construed as a commitment by Atrenne, a Celestica company. While reasonable precautions have been taken, Atrenne assumes no responsibility for any errors that may appear in this document. All products shown or mentioned are trademarks or registered trademarks of their respective owners.