

## FEATURES AND BENEFITS

- Enclosures with rubber gasket rated IP54
- Excellent heat sinking to dissipate component heat
- Flexible options - supplied in standard or custom lengths
- Variety of finishes including raw or powder coat, silk screening or overlays
- Rugged, durable extruded aluminum
- Indoors or outdoor use
- Quick turnaround - standard sizes ship from stock
- Fast modification services including panel cutouts, fasteners, matching end panels, special finishes, labels, silk screening, full or partial assembly

# ALUMINUM ENCLOSURES

CUSTOM, CONFIGURABLE, OR OFF-THE-SHELF  
IP54 AND EMC PROTECTION AVAILABLE



## THE FRONT PANEL AND ENCLOSURE SOURCE

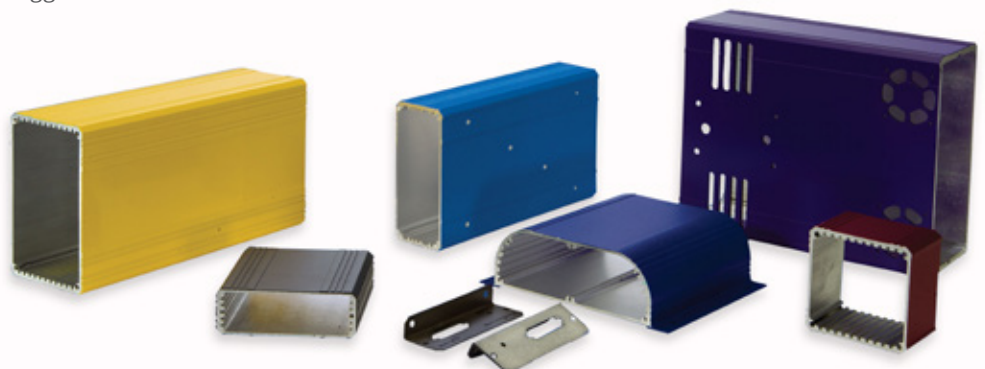
Atrenne, a Celestica company, delivers the enclosure you need - for full production, prototyping or beta testing - with a commitment to meet your budget and schedule.

We offer a wide variety of standard extruded aluminum enclosures from stock.

We also handle all your finishing, labeling, and assembly requirements - to create customized solutions.

Tech enclosures are ideal for a wide range of applications, including:

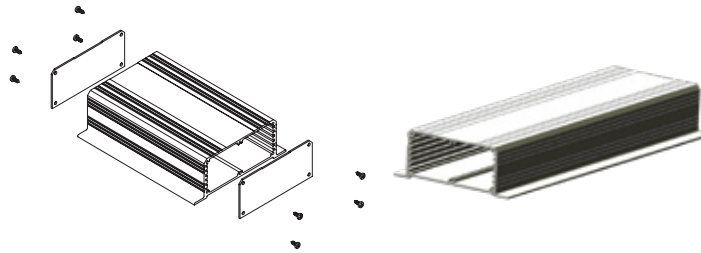
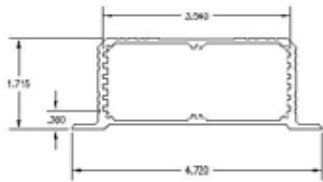
- Modems
- GPS enclosures
- Wireless transmitters
- Electronic instruments
- Camera enclosures
- Audio components
- Handheld controllers
- Avionics
- Rugged controllers



# ALUMINUM ENCLOSURES

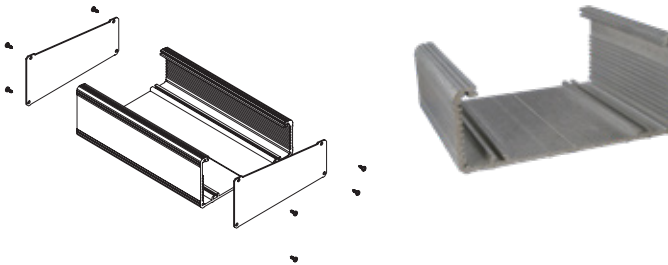
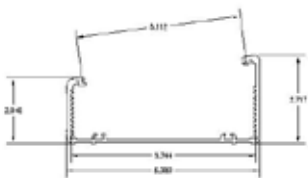
CUSTOM, CONFIGURABLE, OR OFF-THE-SHELF  
IP54 AND EMC PROTECTION AVAILABLE

## GS-3517



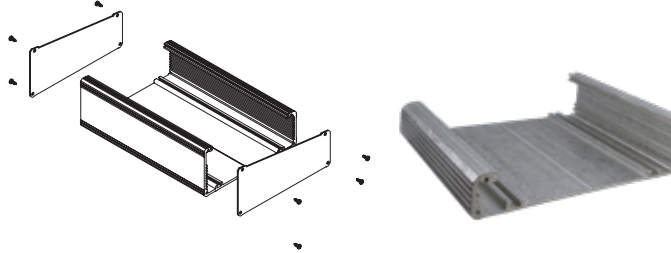
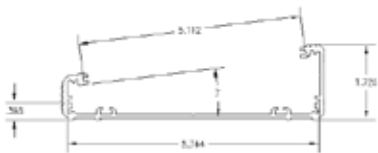
DESCRIPTION	FINISH	SIZE
ENCLOSURE BASE	MILL	4" LONG
	MILL	6" LONG
	BLACK POWDER	4" LONG
	BLACK POWDER	6" LONG
FLAT END PANEL	MILL	
	BLACK POWDER	
GASKET	BLACK POWDER	

## GS-6027



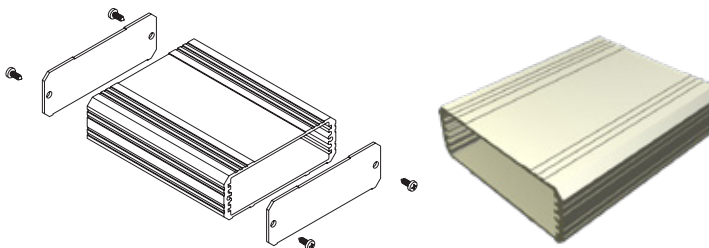
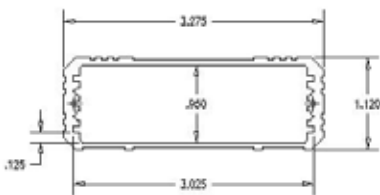
DESCRIPTION	FINISH	SIZE
ENCLOSURE BASE	MILL	5" LONG
	MILL	8.5" LONG
FLAT END PANEL	MILL	
TOP PANEL	MILL	5" LONG
	MILL	8.5" LONG

## GS-6017



DESCRIPTION	FINISH	SIZE
ENCLOSURE BASE	MILL	5" LONG
	MILL	8.5" LONG
FLAT END PANEL	MILL	
TOP PANEL	MILL	5" LONG
	MILL	8.5" LONG

## RS-3010



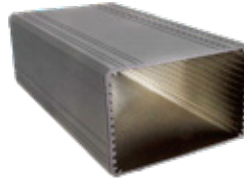
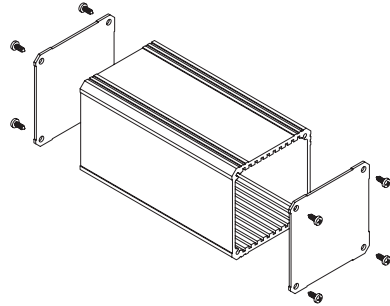
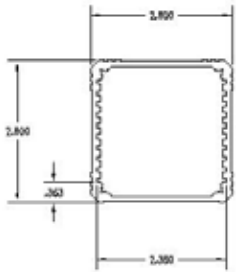
DESCRIPTION	FINISH	SIZE
ENCLOSURE BASE	MILL	4" LONG
	MILL	6" LONG
	BLACK POWDER	4" LONG
	BLACK POWDER	6" LONG
FLAT END PANEL	MILL	
	BLACK POWDER	
L END PANEL	MILL	
	BLACK POWDER	
PLASTIC BEZEL	BLACK	
GASKET	BLACK	



# ALUMINUM ENCLOSURES

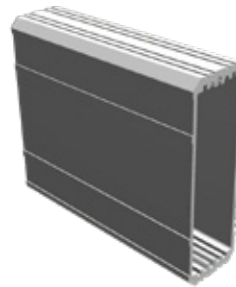
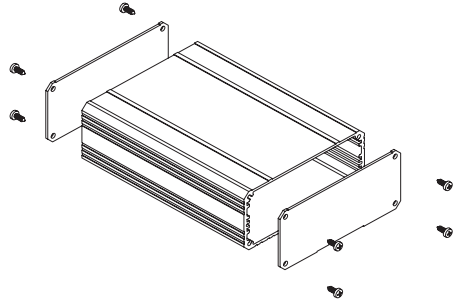
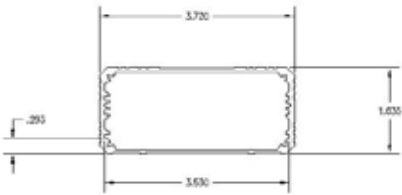
CUSTOM, CONFIGURABLE, OR OFF-THE-SHELF  
IP54 AND EMC PROTECTION AVAILABLE

**RS-2626**



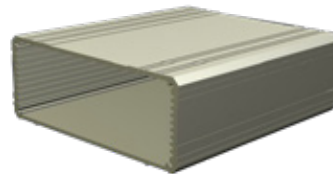
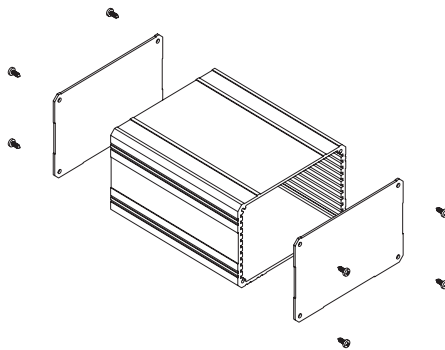
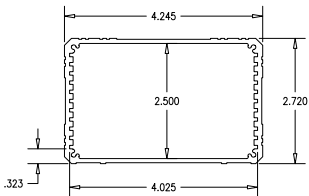
DESCRIPTION	FINISH	SIZE
ENCLOSURE BASE	MILL	4" LONG
	MILL	6" LONG
	BLACK POWDER	4" LONG
	BLACK POWDER	6" LONG
FLAT END PANEL	MILL	
	BLACK POWDER	
L END PANEL	MILL	
	BLACK POWDER	
GASKET	BLACK	

**RS-3516**



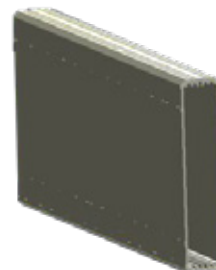
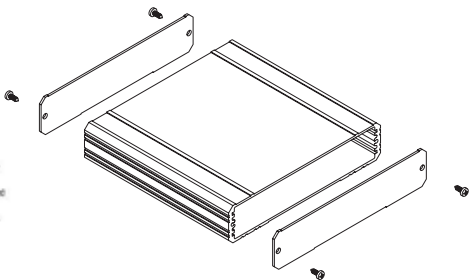
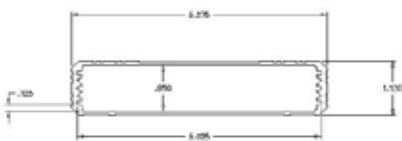
DESCRIPTION	FINISH	SIZE
ENCLOSURE BASE	MILL	4" LONG
	MILL	6" LONG
	BLACK POWDER	4" LONG
	BLACK POWDER	6" LONG
FLAT END PANEL	MILL	
	BLACK POWDER	
L END PANEL	MILL	
	BLACK POWDER	
GASKET	BLACK	

**RS-4025**



DESCRIPTION	FINISH	SIZE
ENCLOSURE BASE	MILL	6" LONG
	MILL	8" LONG
	BLACK POWDER	6" LONG
	BLACK POWDER	8" LONG
FLAT END PANEL	MILL	
	BLACK POWDER	
L END PANEL	MILL	
	BLACK POWDER	
GASKET	BLACK	

**RS-5010**

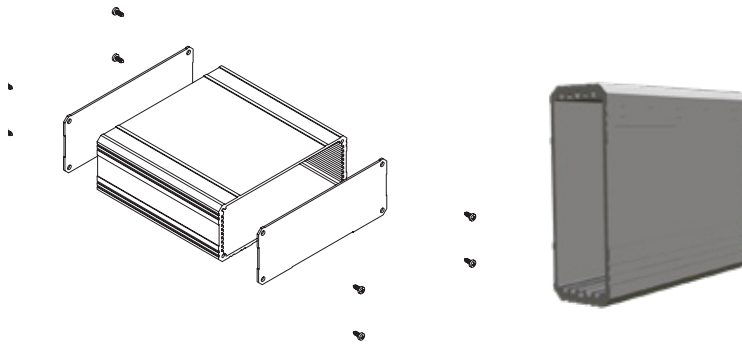


DESCRIPTION	FINISH	SIZE
ENCLOSURE BASE	MILL	6" LONG
	MILL	8" LONG
	BLACK POWDER	6" LONG
	BLACK POWDER	8" LONG
FLAT END PANEL	MILL	
	BLACK POWDER	
L END PANEL	MILL	
	BLACK POWDER	
BEZEL	BLACK	
GASKET	BLACK	

# ALUMINUM ENCLOSURES

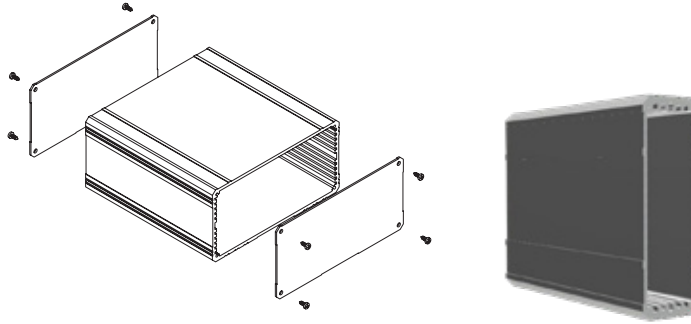
CUSTOM, CONFIGURABLE, OR OFF-THE-SHELF  
IP54 AND EMC PROTECTION AVAILABLE

**RS-5020**



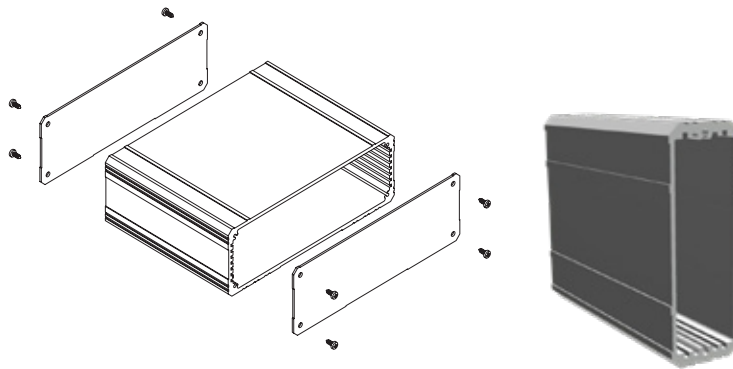
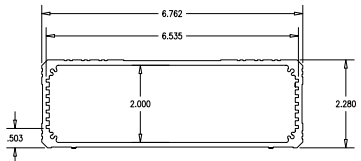
DESCRIPTION	FINISH	SIZE
ENCLOSURE BASE	MILL	6" LONG
	MILL	8" LONG
	BLACK POWDER	6" LONG
	BLACK POWDER	8" LONG
FLAT END PANEL	MILL	
	BLACK POWDER	
L END PANEL	MILL	
	BLACK POWDER	
GASKET	BLACK	

**RS-6030**



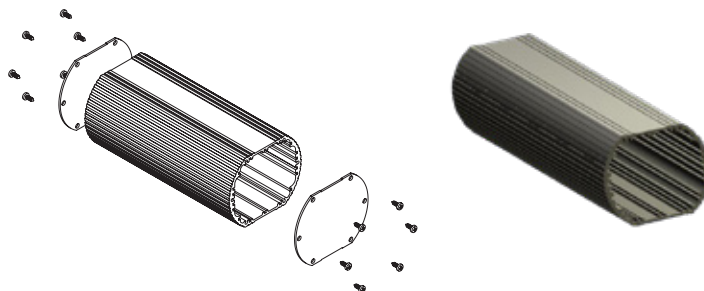
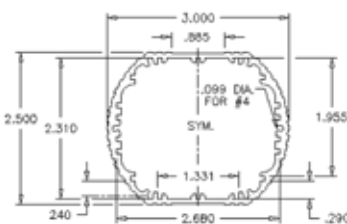
DESCRIPTION	FINISH	SIZE
ENCLOSURE BASE	MILL	6" LONG
	MILL	8" LONG
	BLACK POWDER	6" LONG
	BLACK POWDER	8" LONG
FLAT END PANEL	MILL	
	BLACK POWDER	
L END PANEL	MILL	
	BLACK POWDER	
GASKET	BLACK	

**RS-6520**



DESCRIPTION	FINISH	SIZE
ENCLOSURE BASE	MILL	6" LONG
	MILL	8" LONG
	BLACK POWDER	6" LONG
	BLACK POWDER	8" LONG
FLAT END PANEL	MILL	
	BLACK POWDER	
L END PANEL	MILL	
	BLACK POWDER	
PLASTIC BEZEL	BLACK	
END PANEL FOR BEZEL	MILL	
	BLACK POWDER	
GASKET	BLACK	

**RS-3025**



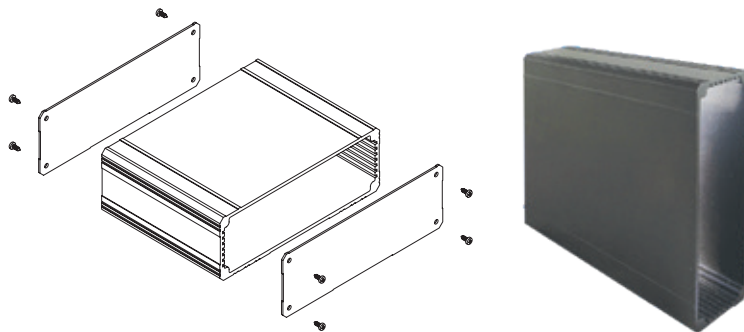
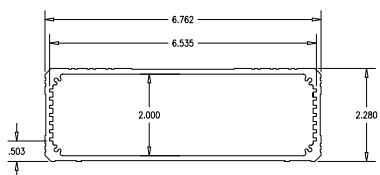
DESCRIPTION	FINISH	SIZE
ENCLOSURE BASE	MILL	4" LONG
	MILL	6" LONG
	BLACK POWDER	4" LONG
	BLACK POWDER	6" LONG
FLAT END PANEL	MILL	
	BLACK POWDER	
GASKET	BLACK POWDER	



# ALUMINUM ENCLOSURES

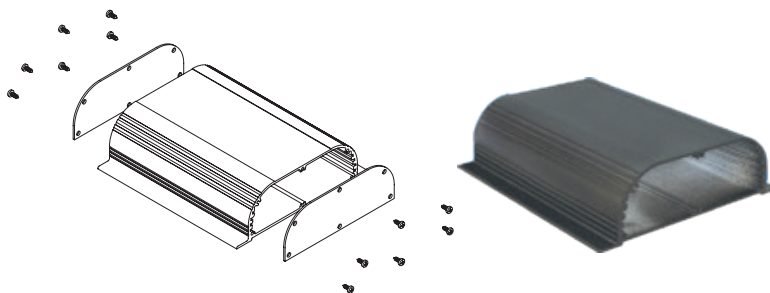
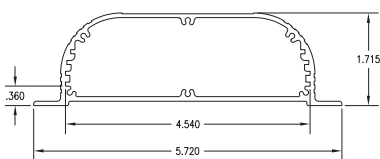
CUSTOM, CONFIGURABLE, OR OFF-THE-SHELF  
IP54 AND EMC PROTECTION AVAILABLE

## RS-6520S



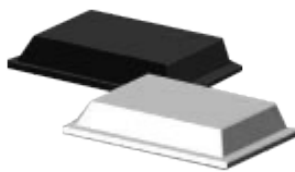
DESCRIPTION	FINISH	SIZE
ENCLOSURE BASE	MILL	6" LONG
	MILL	8" LONG
	BLACK POWDER	6" LONG
	BLACK POWDER	8" LONG
FLAT END PANEL	MILL	
	BLACK POWDER	
L END PANEL	MILL	
	BLACK POWDER	
PLASTIC BEZEL	BLACK	
END PANEL FOR BEZEL	MILL	
	BLACK POWDER	
GASKET	BLACK	

## RS-4517



DESCRIPTION	FINISH	SIZE
ENCLOSURE BASE	MILL	4" LONG
	MILL	6" LONG
	BLACK POWDER	4" LONG
	BLACK POWDER	6" LONG
FLAT END PANEL	MILL	
	BLACK POWDER	
GASKET	BLACK POWDER	

## ADDITIONAL ACCESSORIES



DESCRIPTION	FINISH	QUANTITY
SELF TAPPING SCREW	BLACK	PKG OF 10
	ZINC	PKG OF 10
ADHESIVE RUBBER FEET	BLACK RUBBER	PKG OF 4
	WHITE RUBBER	PKG OF 4

## CONTACT INFORMATION

www.atrenne.com  
sales@atrenne.com  
508.588.6110 or 800.926.8722

The information in this document is subject to change without notice and should not be construed as a commitment by Atrenne, a Celestica company. While reasonable precautions have been taken, Atrenne assumes no responsibility for any errors that may appear in this document. All products shown or mentioned are trademarks or registered trademarks of their respective owners.

