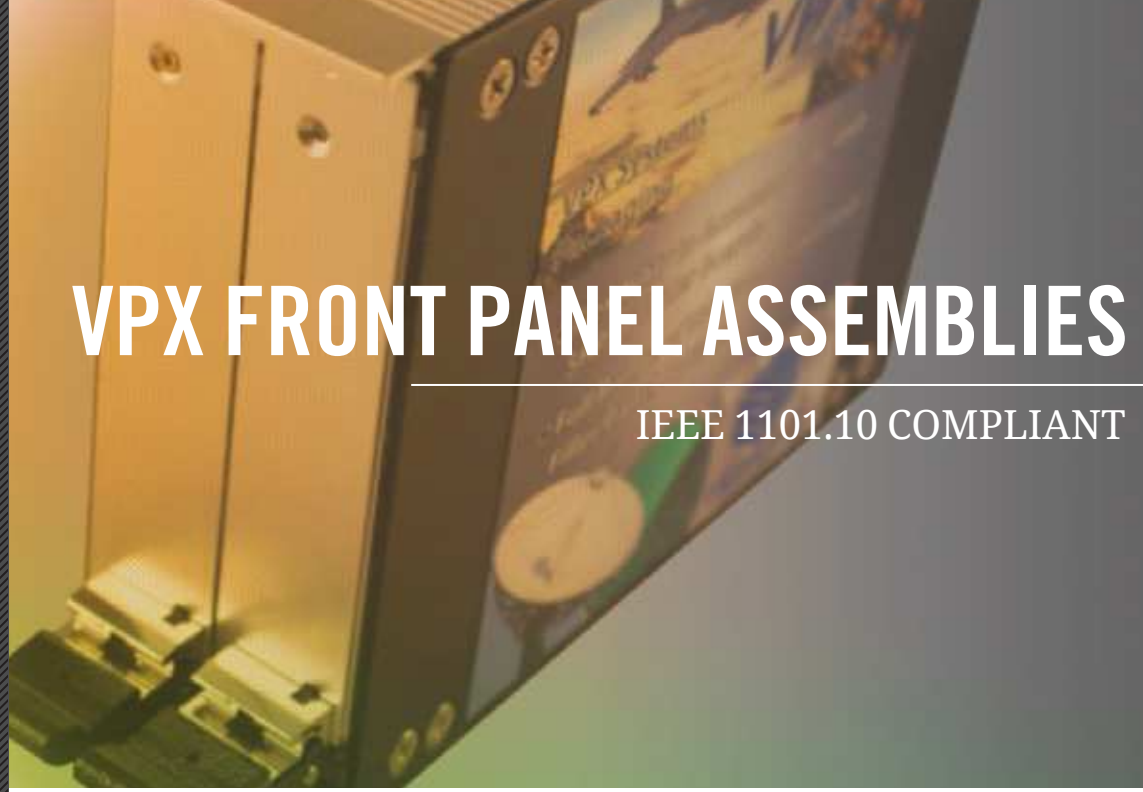


VPX FRONT PANEL ASSEMBLIES

IEEE 1101.10 COMPLIANT

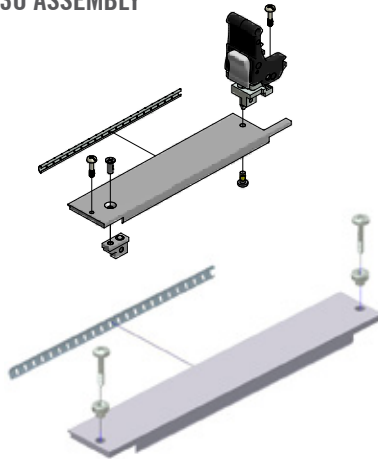
FEATURES AND BENEFITS

- Full range of feature and performance options
- Standard 3U and 6U board heights available in 4HP, 4.25HP, and 5HP
- Metal or foam gasket options
- Overlay or silkscreen
- Full range of handle options
- Maximum face area available for I/O features
- Hot swap switch option



STANDARD ASSEMBLIES AND COMPONENTS

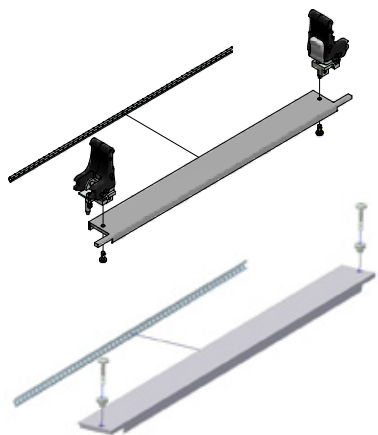
3U ASSEMBLY



Front panel with clear chromate finish
Bottom ejector with panel screw
Hot swap switch (optional)
EMI gasket (metal or foam)
Screw sleeve
Fastening screws (2)
PCB board mount with fastening screw

Filler panel with clear chromate finish
EMI gasket (metal or foam)
Screw sleeves (2)
Fastening screws (2)

6U ASSEMBLY



Front panel with clear chromate finish
Bottom ejector with panel screw
Top ejector with panel screw
Hot swap switch (optional)
EMI gasket (metal or foam)
Fastening screws (2)
PCB board mount (optional)

Filler panel with clear chromate finish
EMI gasket (metal or foam)
Screw sleeves (2)
Fastening screws (2)

VPX FRONT PANEL ASSEMBLIES

DATA SHEET



DT Ejector
Aluminum Extrusion



VPX Ejector
Aluminum Extrusion



Metal EMI Gasket
Stainless Steel cut to length



Foam EMI Gasket
Fabric over foam cut to length



4HP = 19.9mm
4.25HP = 21.3mm
5HP = 24.9mm



CONTACT INFORMATION

www.atrenne.com
sales@atrenne.com
508.588.6110 or 800.926.8722

The information in this document is subject to change without notice and should not be construed as a commitment by Atrenne, a Celestica company. While reasonable precautions have been taken, Atrenne, assumes no responsibility for any errors that may appear in this document. All products shown or mentioned are trademarks or registered trademarks of their respective owners.

